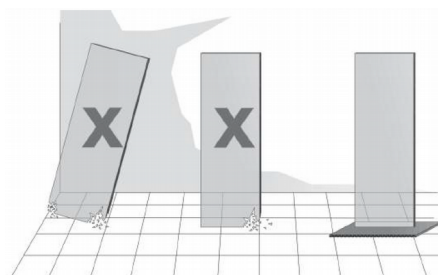
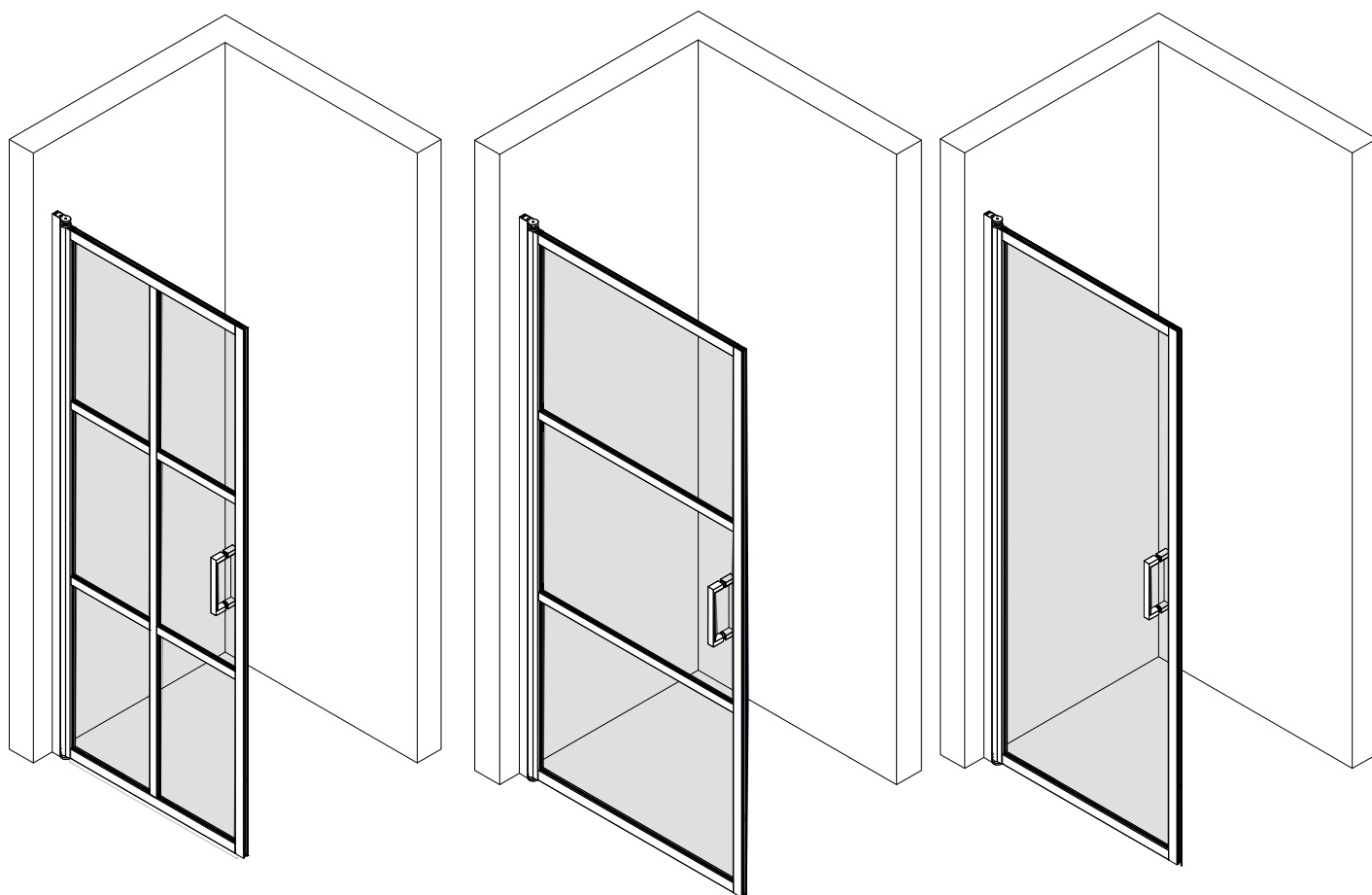
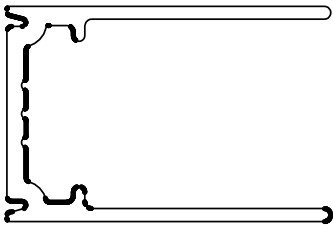




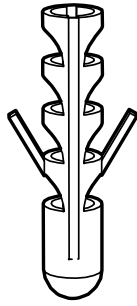
# 712



# Parts



1. x1



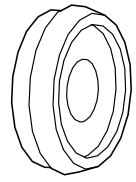
4/83 13RLM

2. 6x30 mm  
x4



4/83 11RLM

3. 4.5x45 mm  
x4



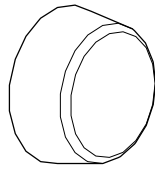
4/83 229LM

4. x4



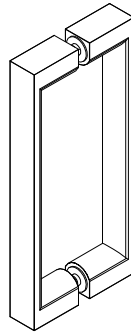
4/83 24RLM

5. 4.2x13 mm  
x4



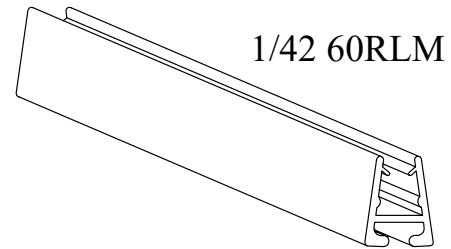
4/83 239LM

6. x4



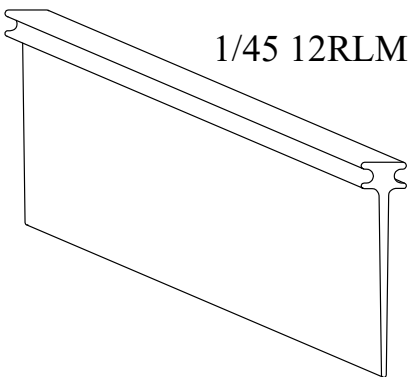
8/65 459LM

7. x1



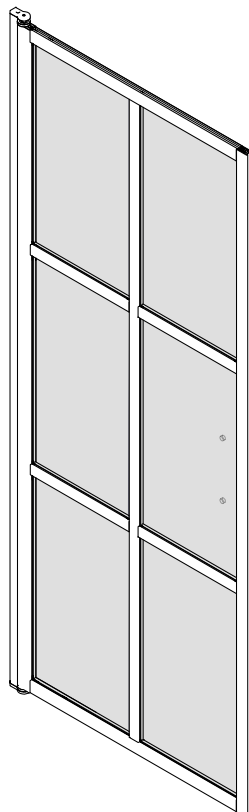
1/42 60RLM

8. x1



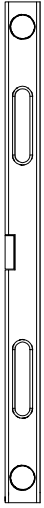
1/45 12RLM

9. x1

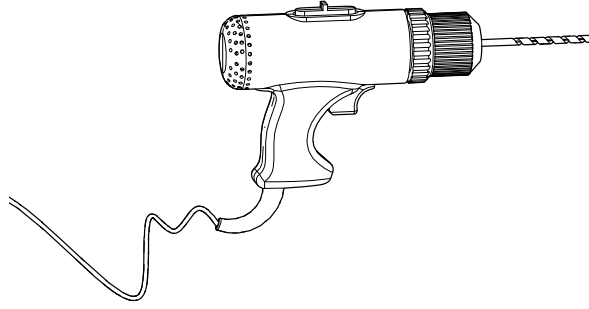


10. x1

# Tools

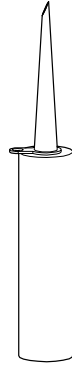


A

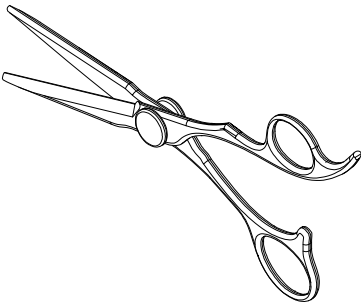


Ø6 mm

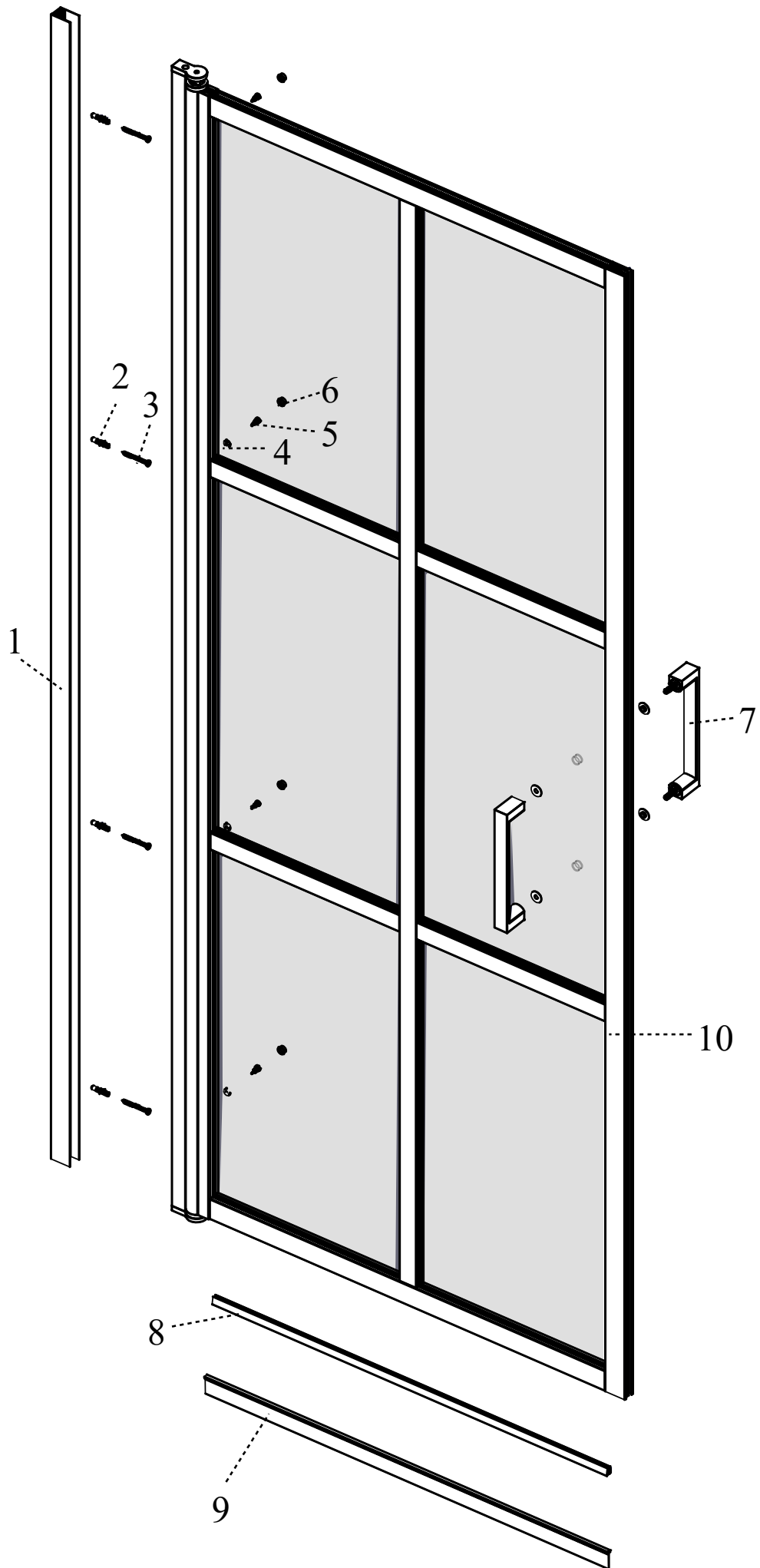
B



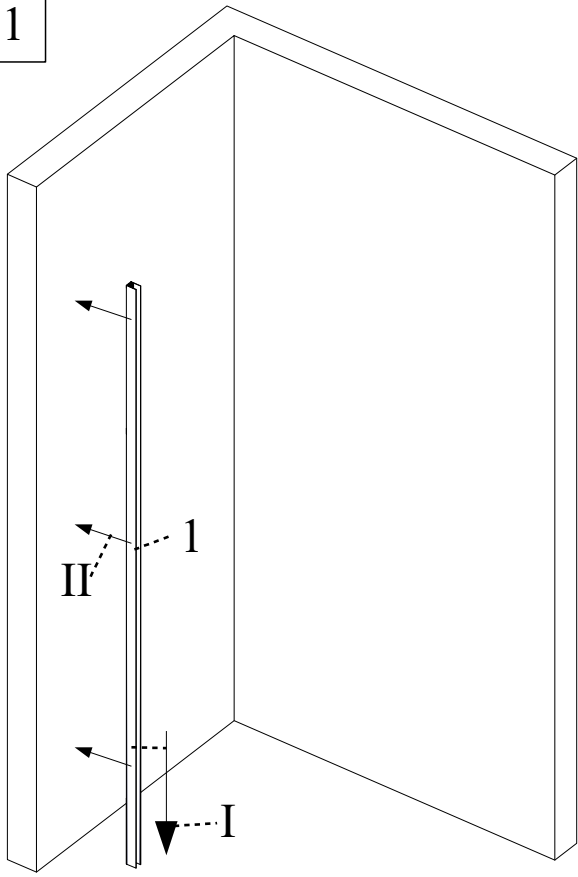
C



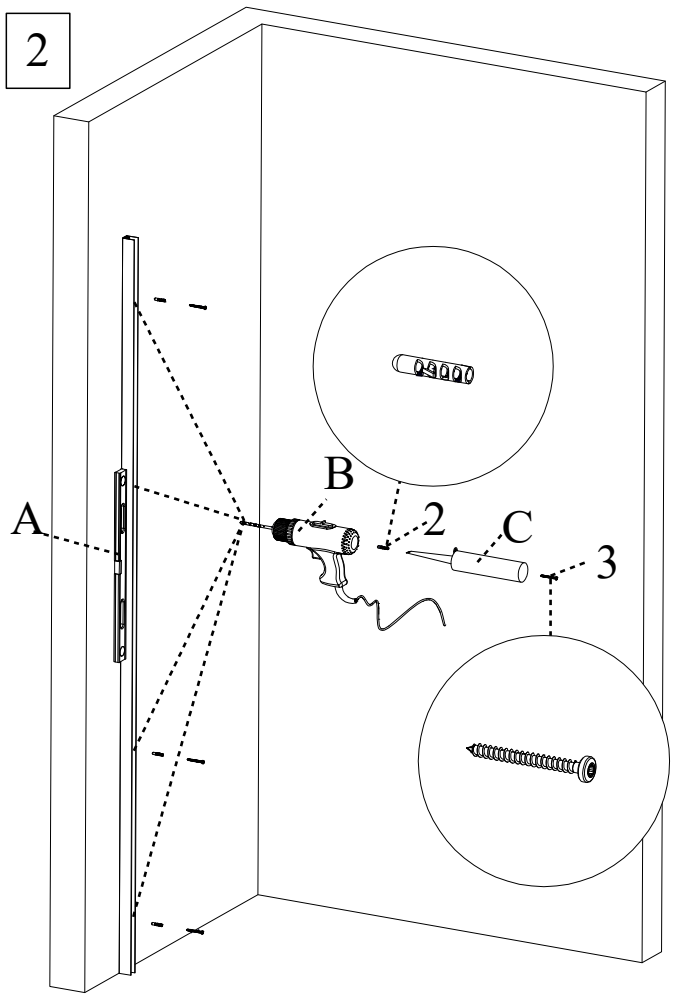
D



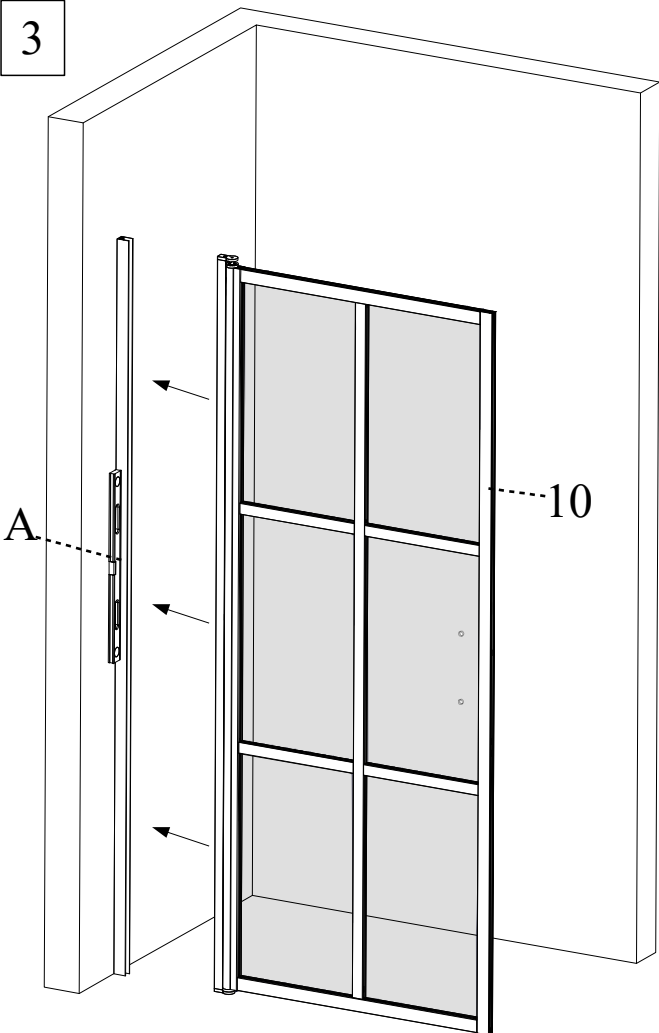
1



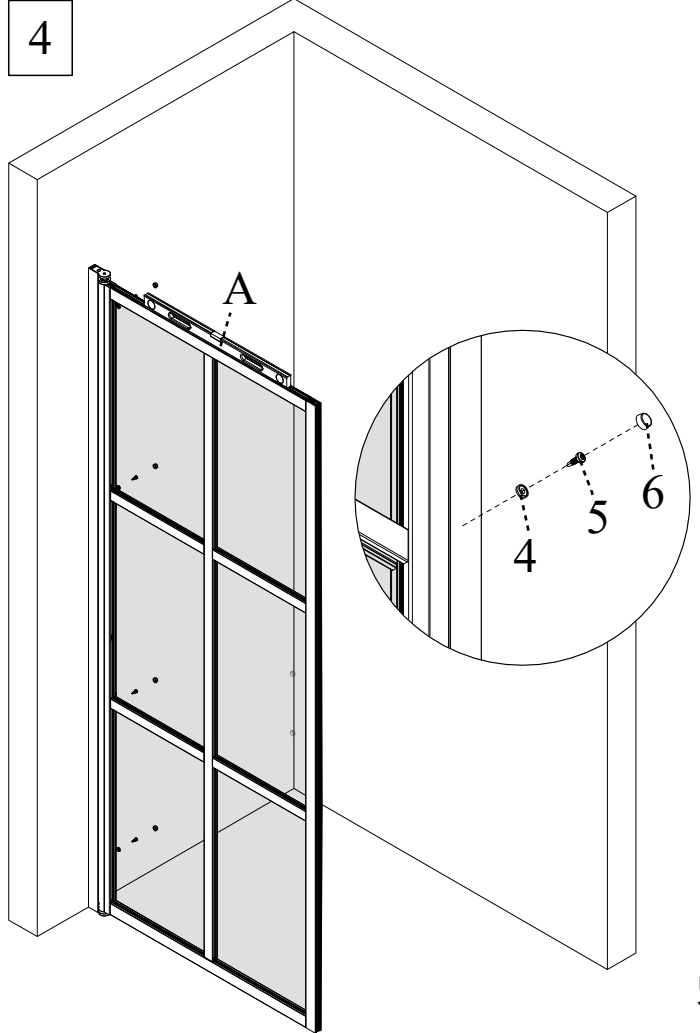
2



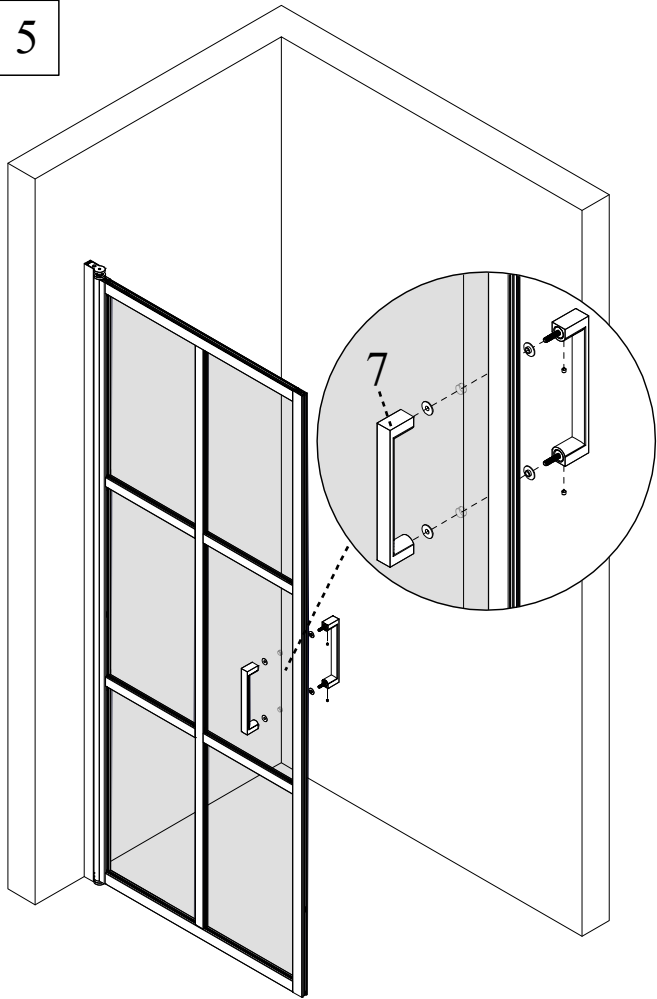
3



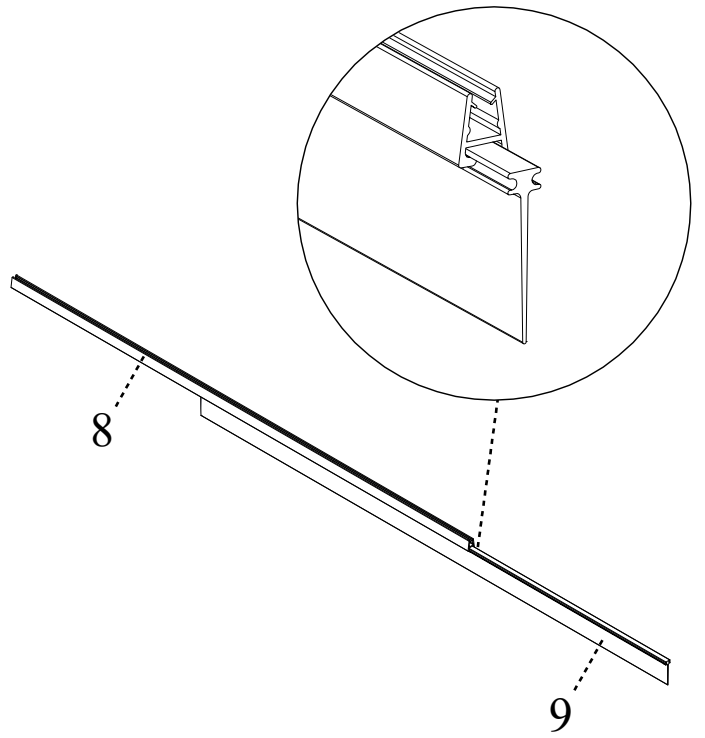
4



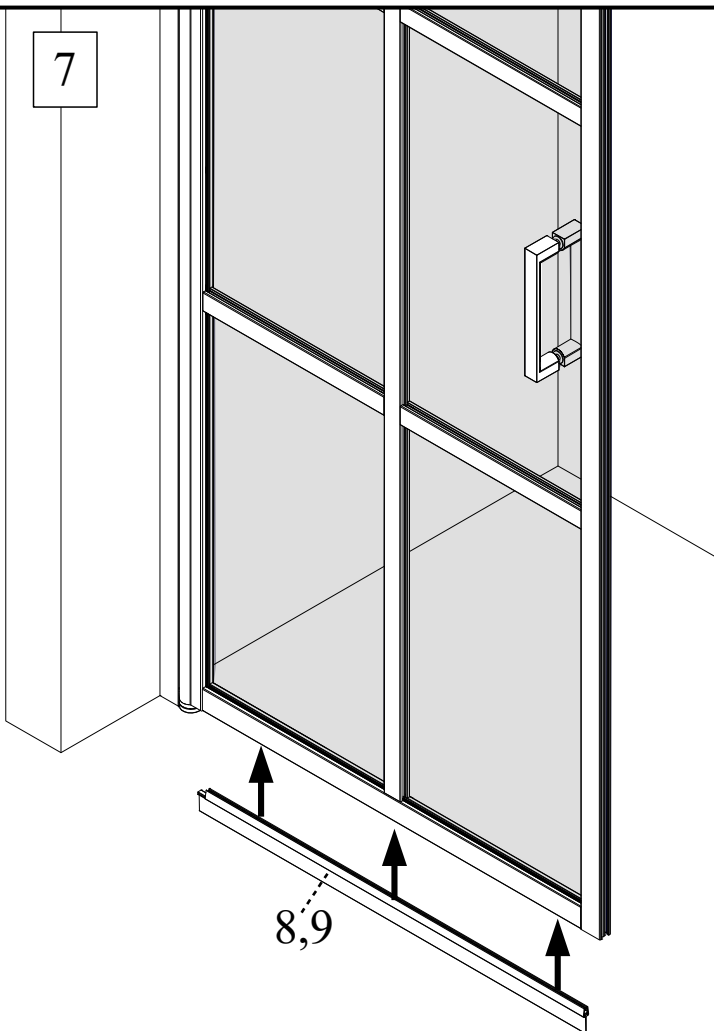
5



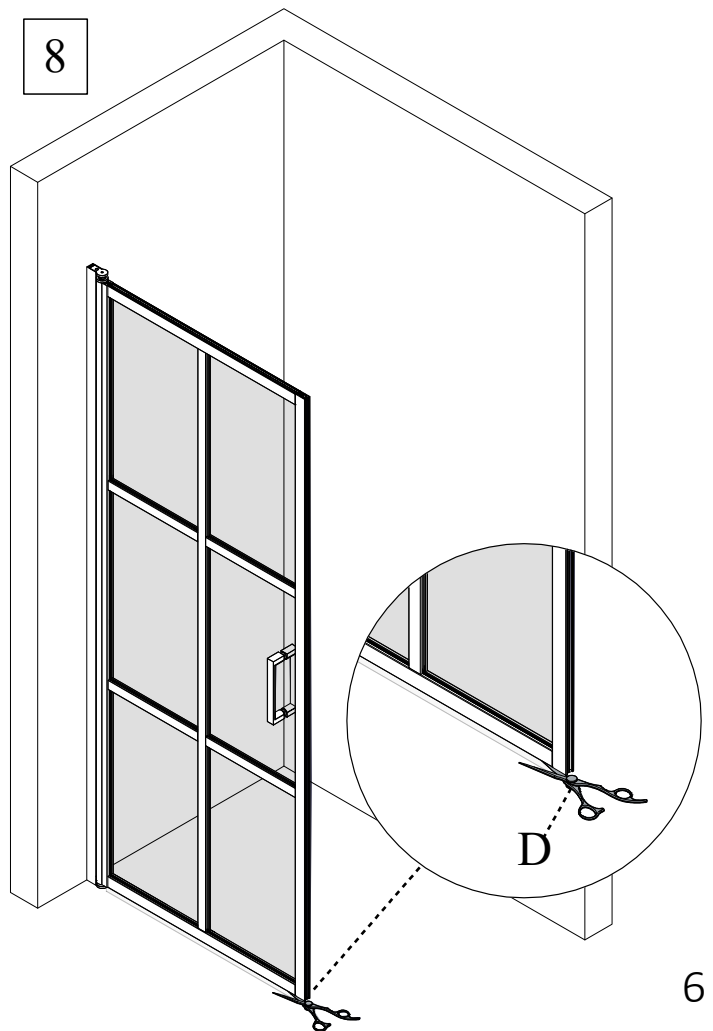
6



7



8



6