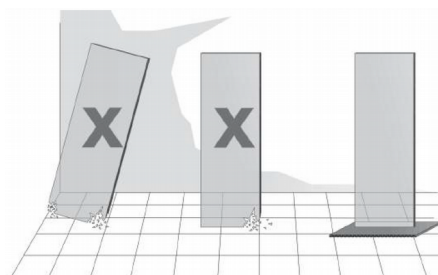
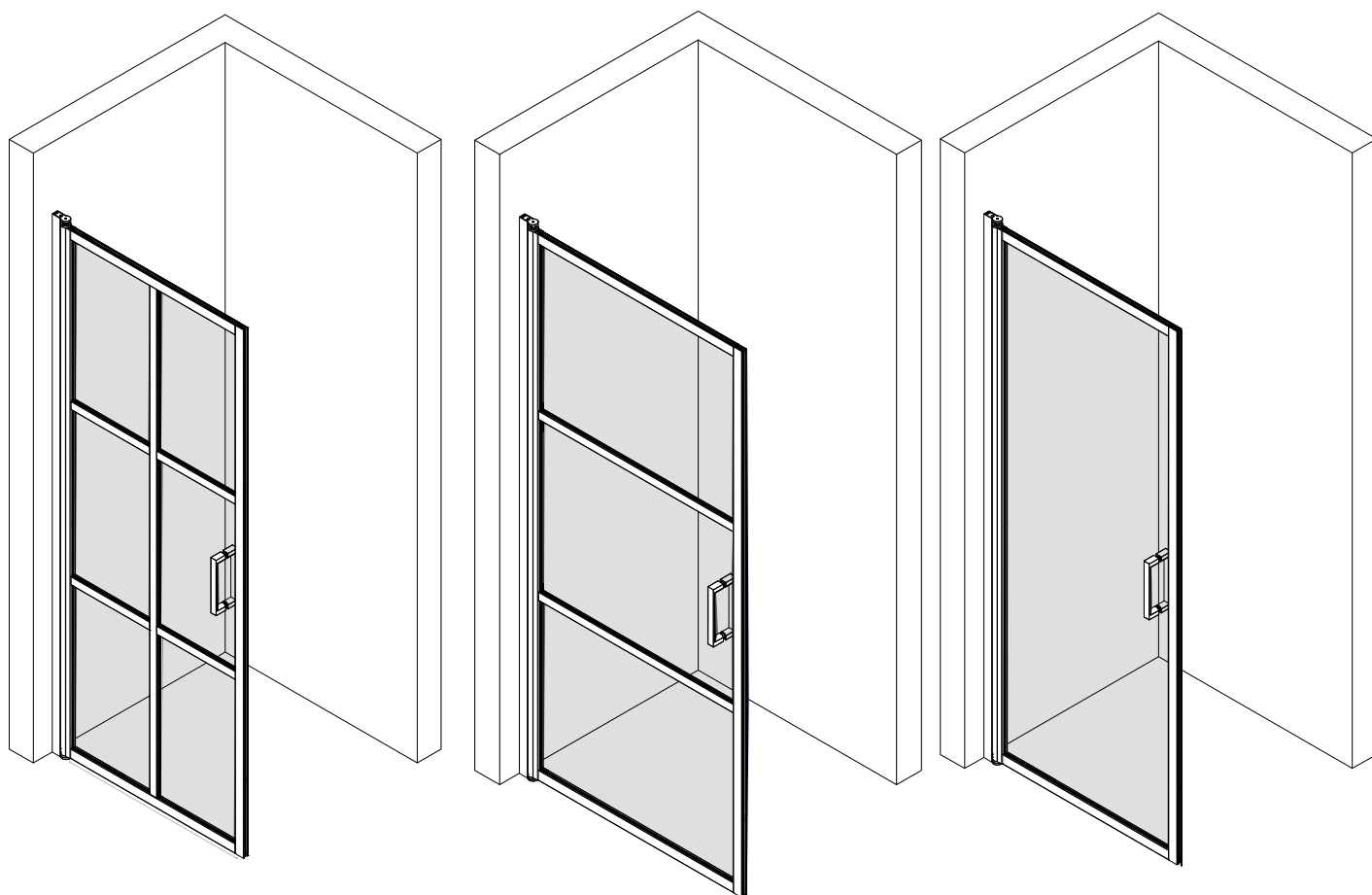
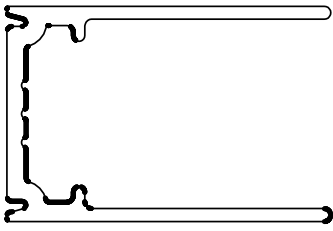




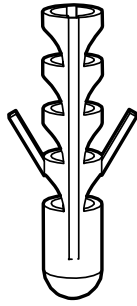
712



Parts



1. x1



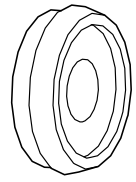
4/83 13RLM

2. 6x30 mm
x4



4/83 11RLM

3. 4.5x45 mm
x4



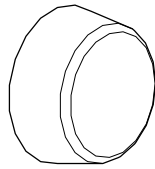
4/83 229LM

4. x4



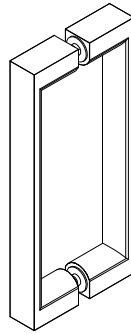
4/83 24RLM

5. 4.2x13 mm
x4



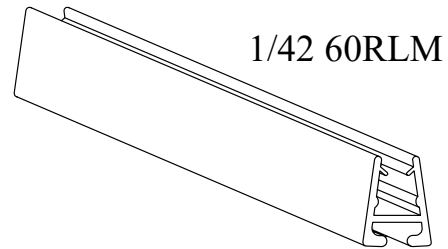
4/83 239LM

6. x4



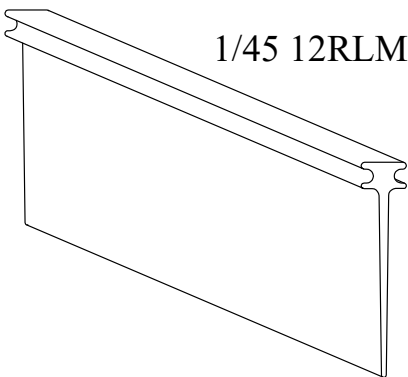
8/65 459LM

7. x1



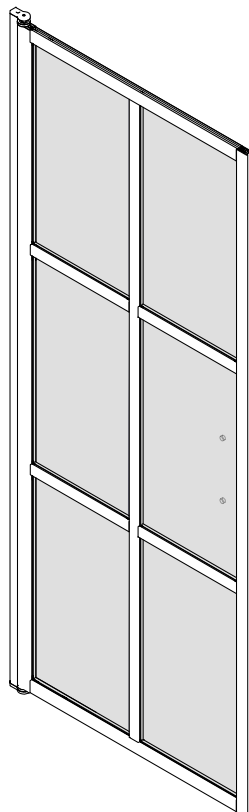
1/42 60RLM

8. x1



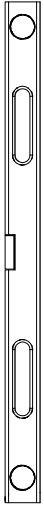
1/45 12RLM

9. x1

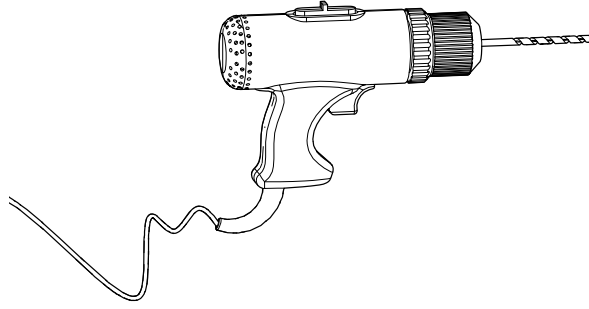


10. x1

Tools

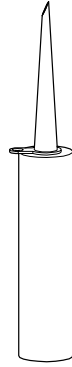


A

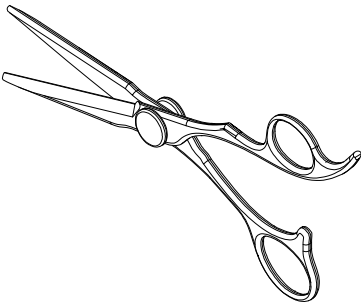


Ø6 mm

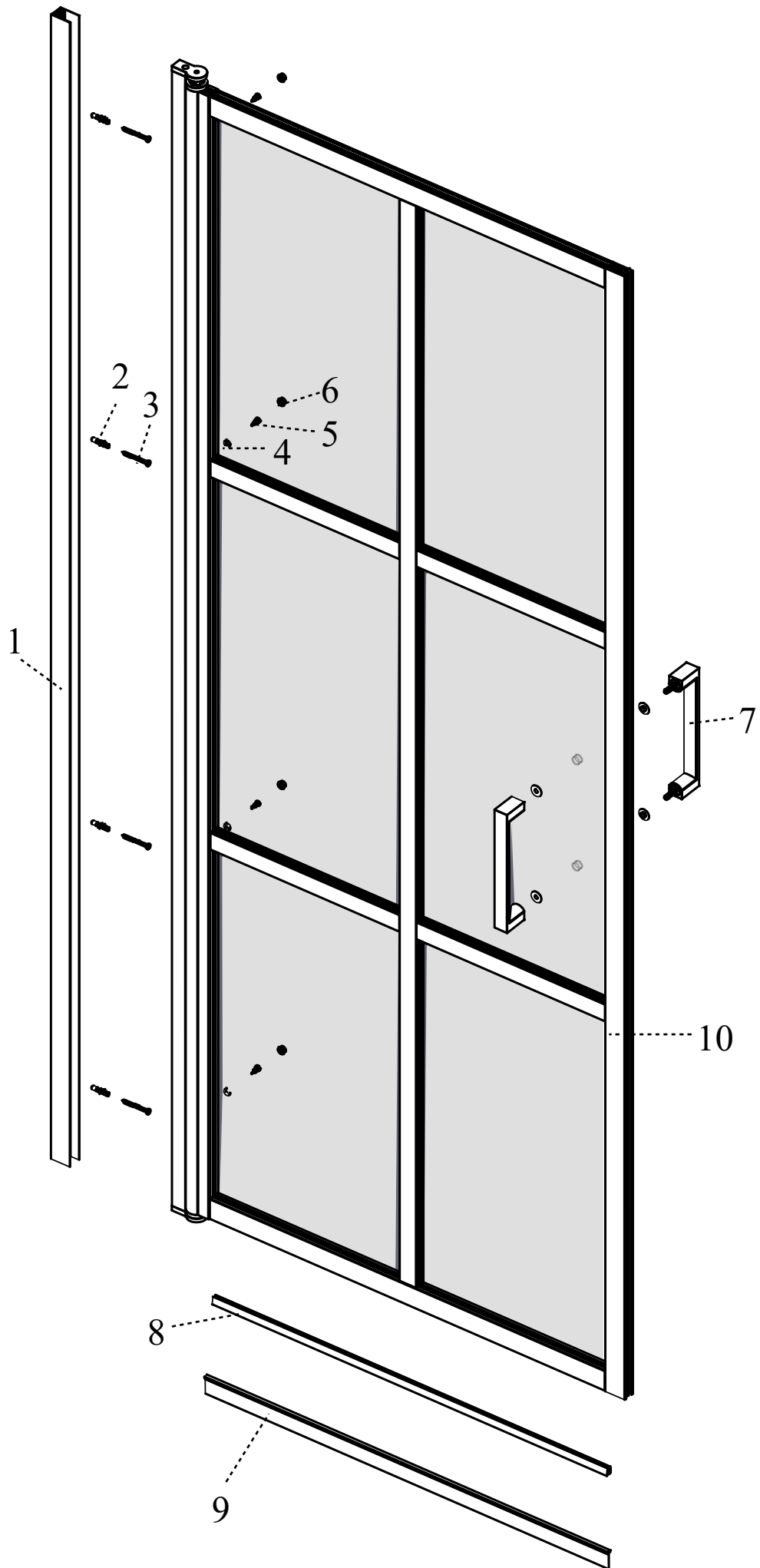
B



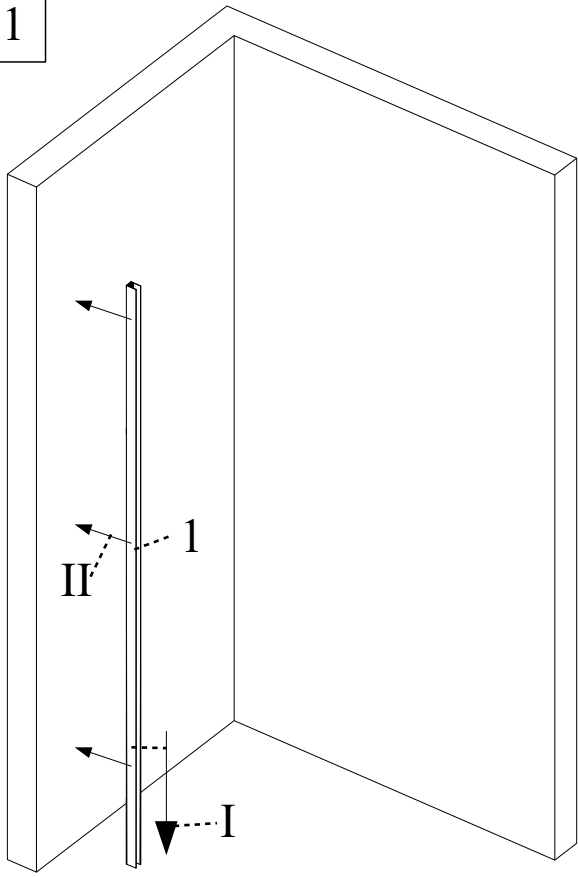
C



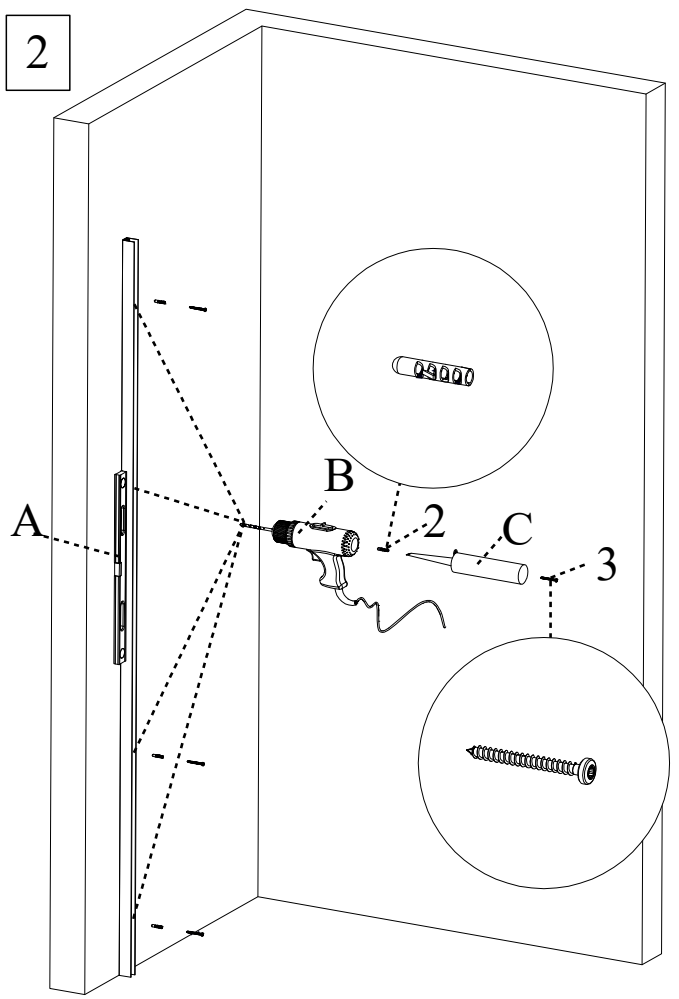
D



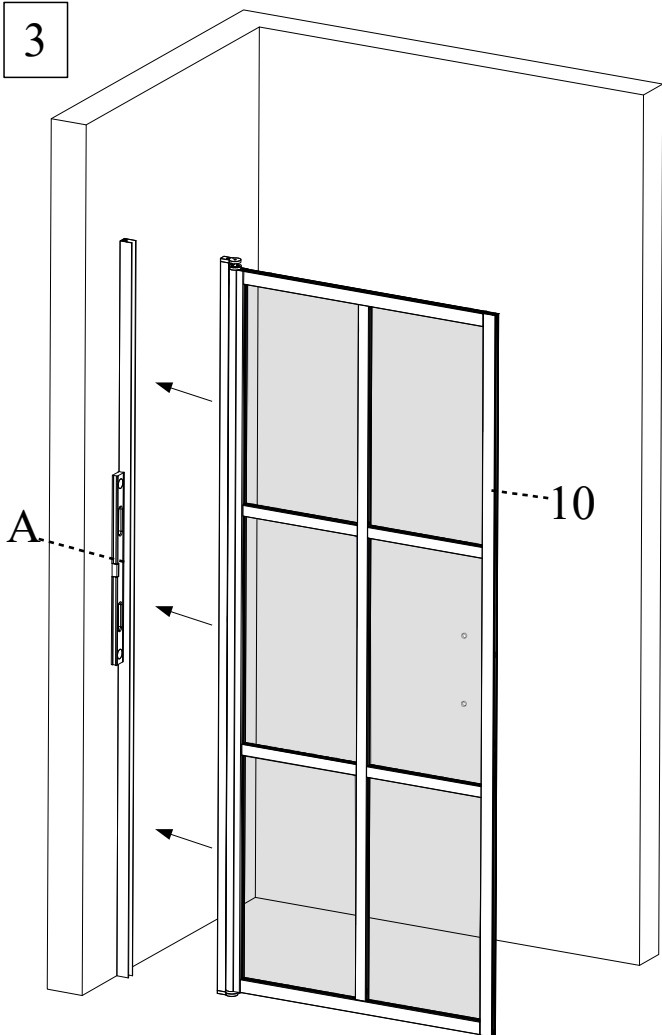
1



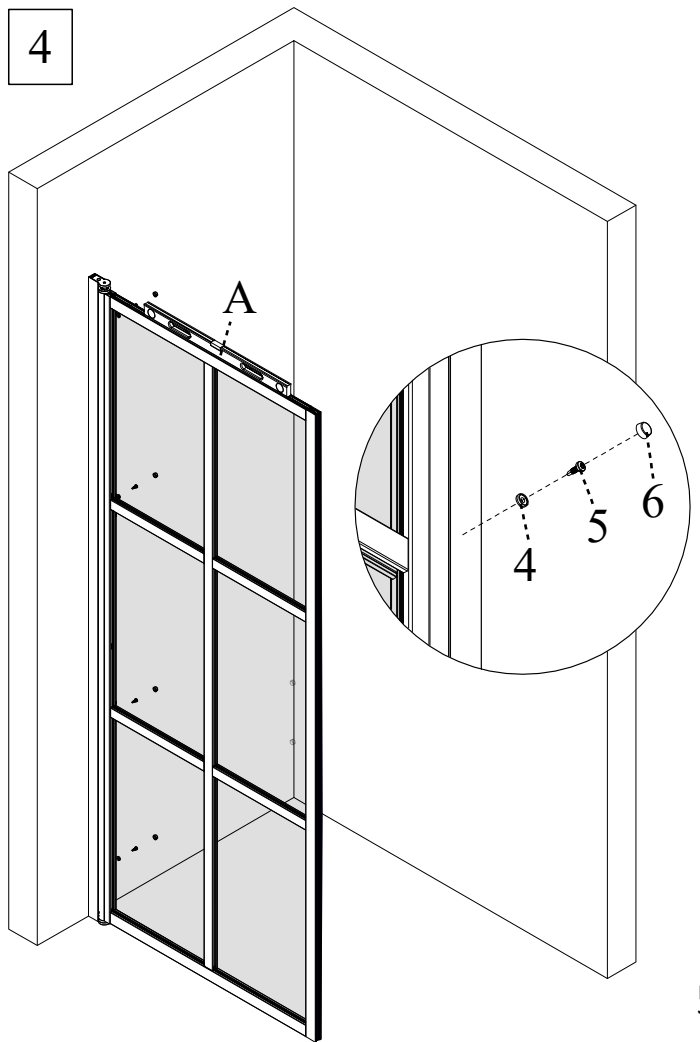
2



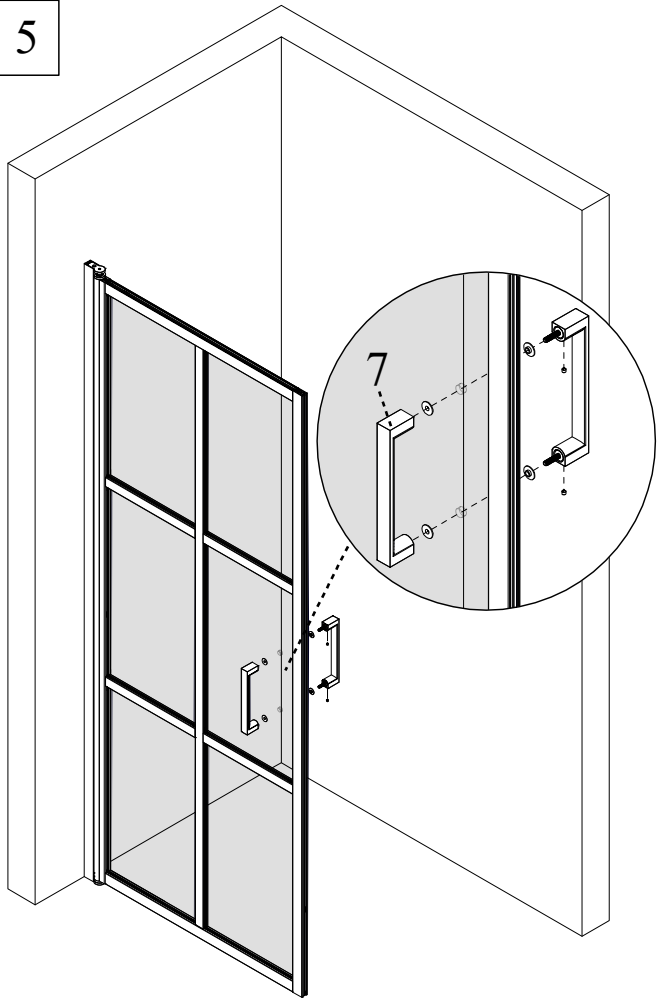
3



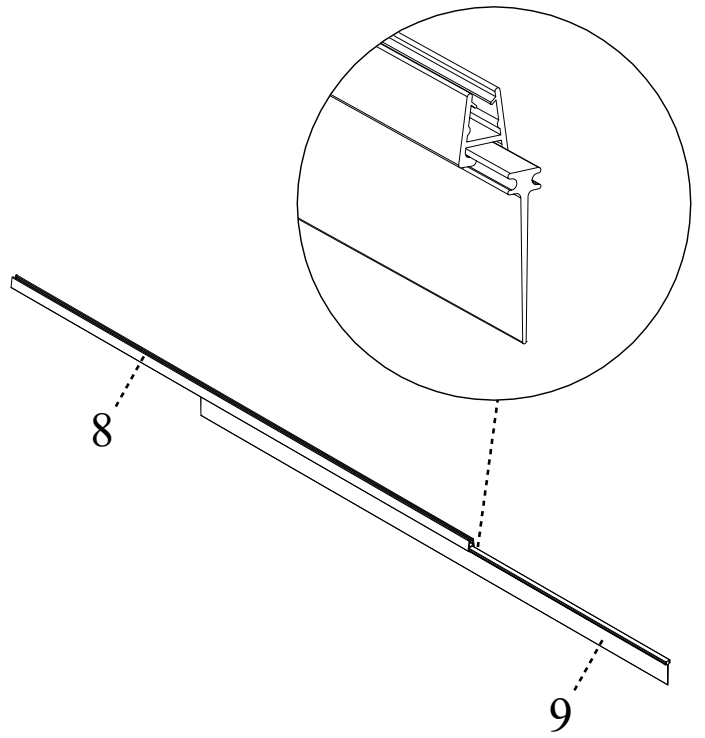
4



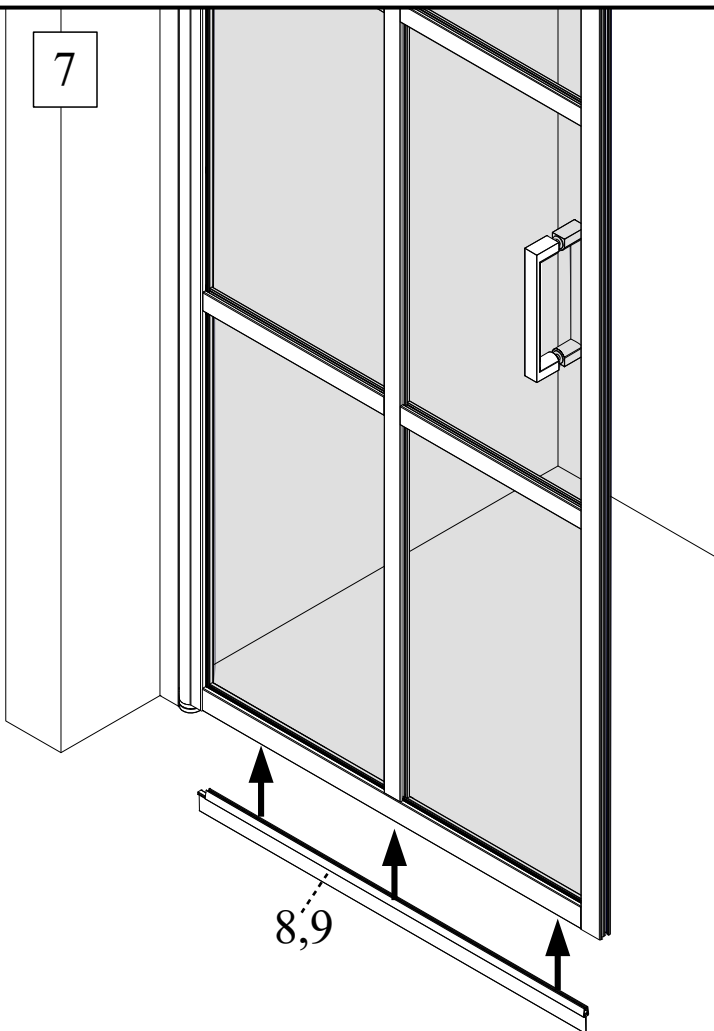
5



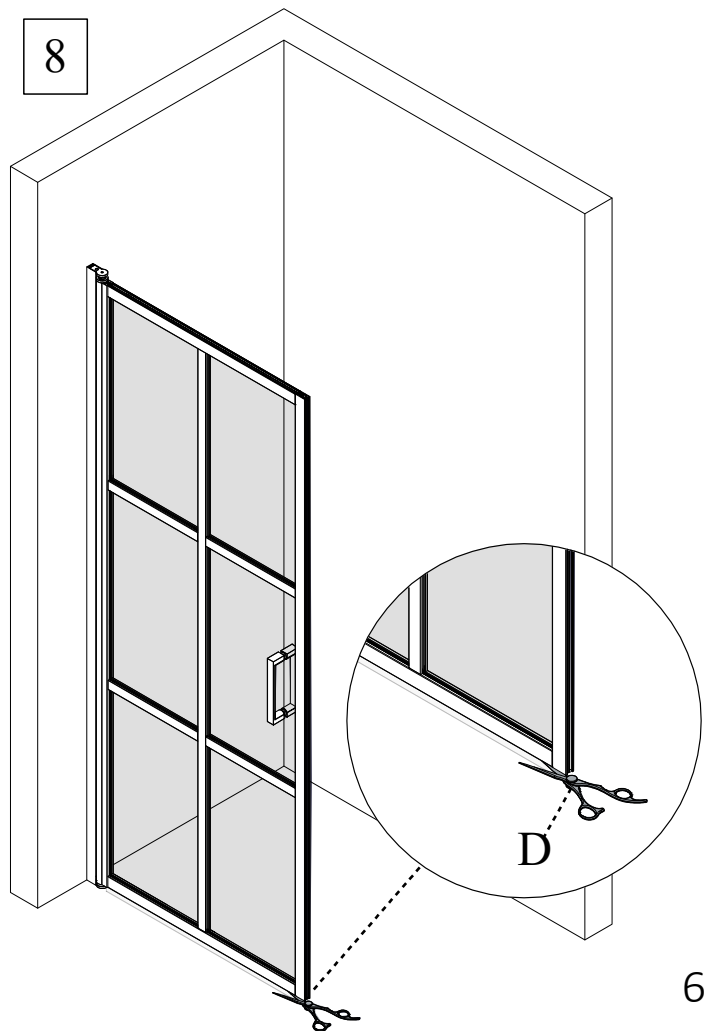
6



7



8



6

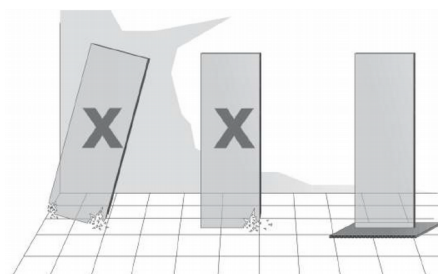
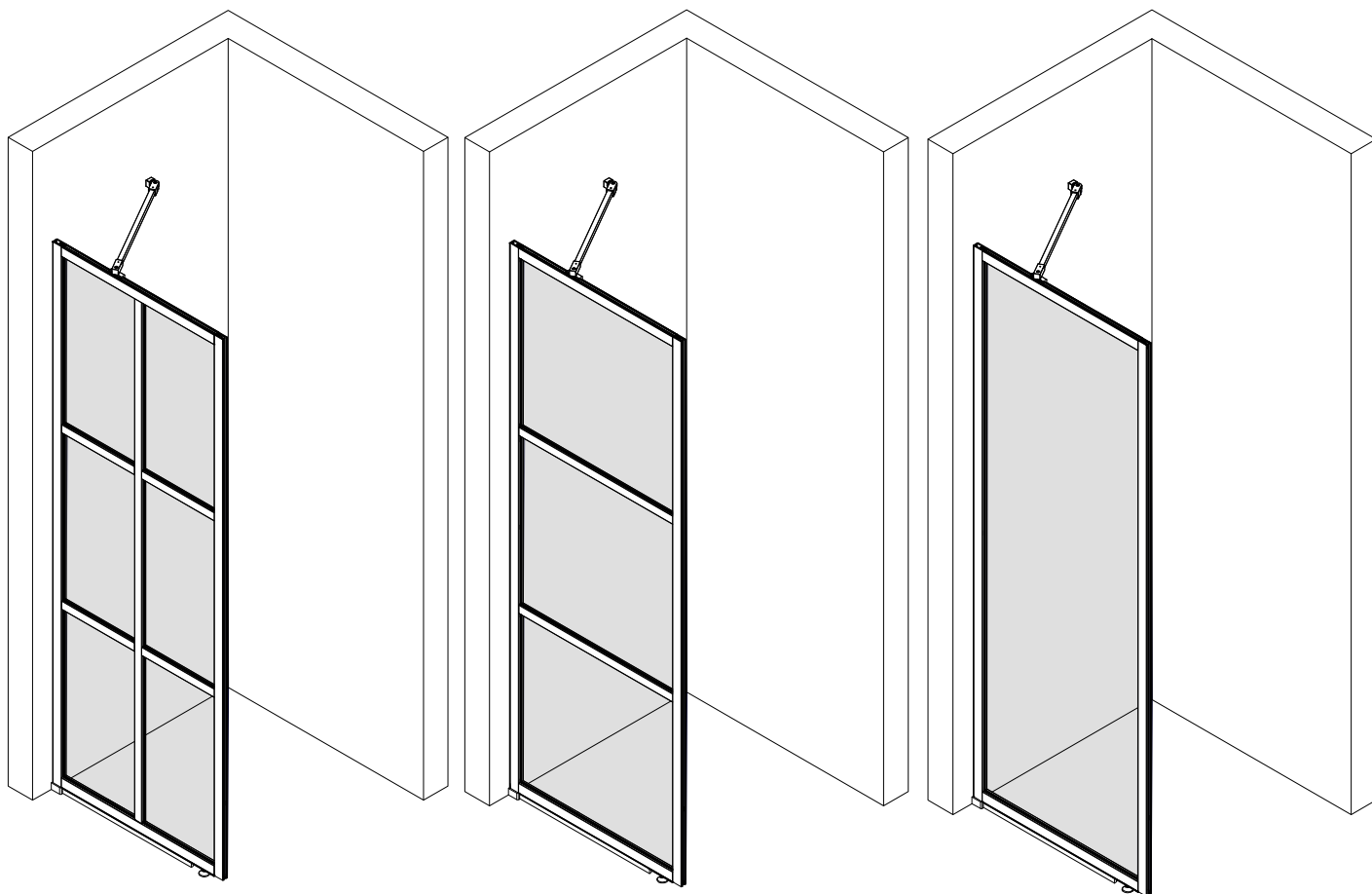


HIETAKARI®

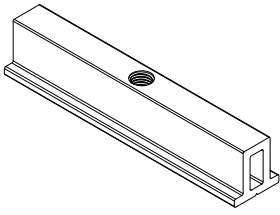


8/25 60RLM

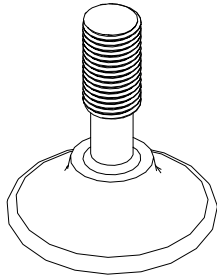
711 TL



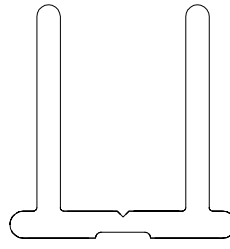
Parts



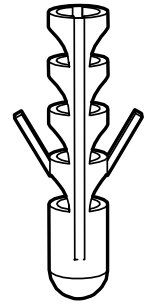
1. x1



2. x1



3. x1



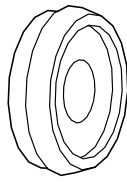
4/83 13RLM

4. 6x30 mm
x5



4/83 11RLM

5. 3.5x39 mm
x5



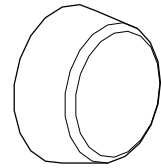
4/83 22RLM

6. x6



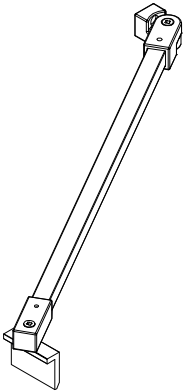
4/83 24RLM

7. 4.2x13 mm
x8



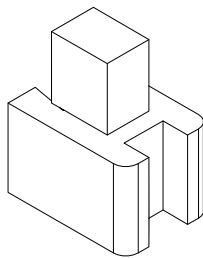
4/83 23RLM

8. x6



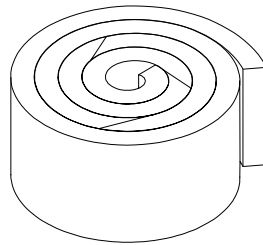
8/65 319LM

9. x1



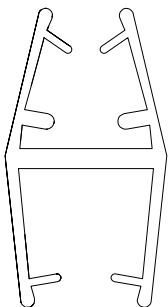
8/65 319LM

10. x1

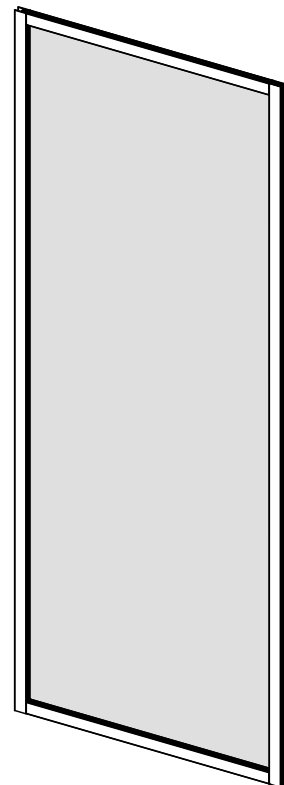


4/83 61RLM

11. x1

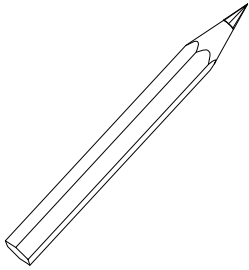


12. x1

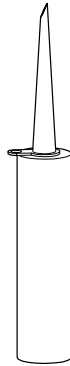


13. x1

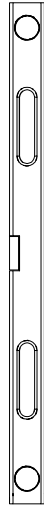
Tools



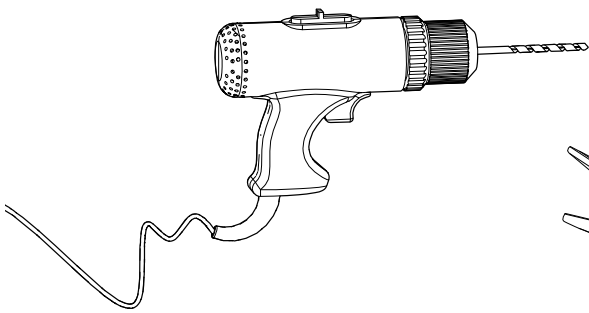
A



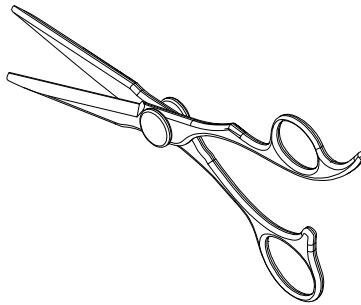
B – Silicone



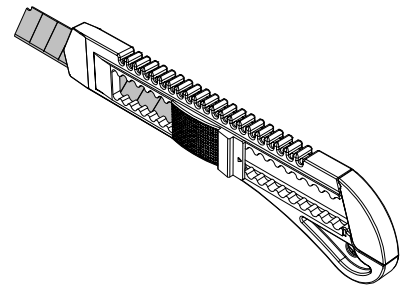
C



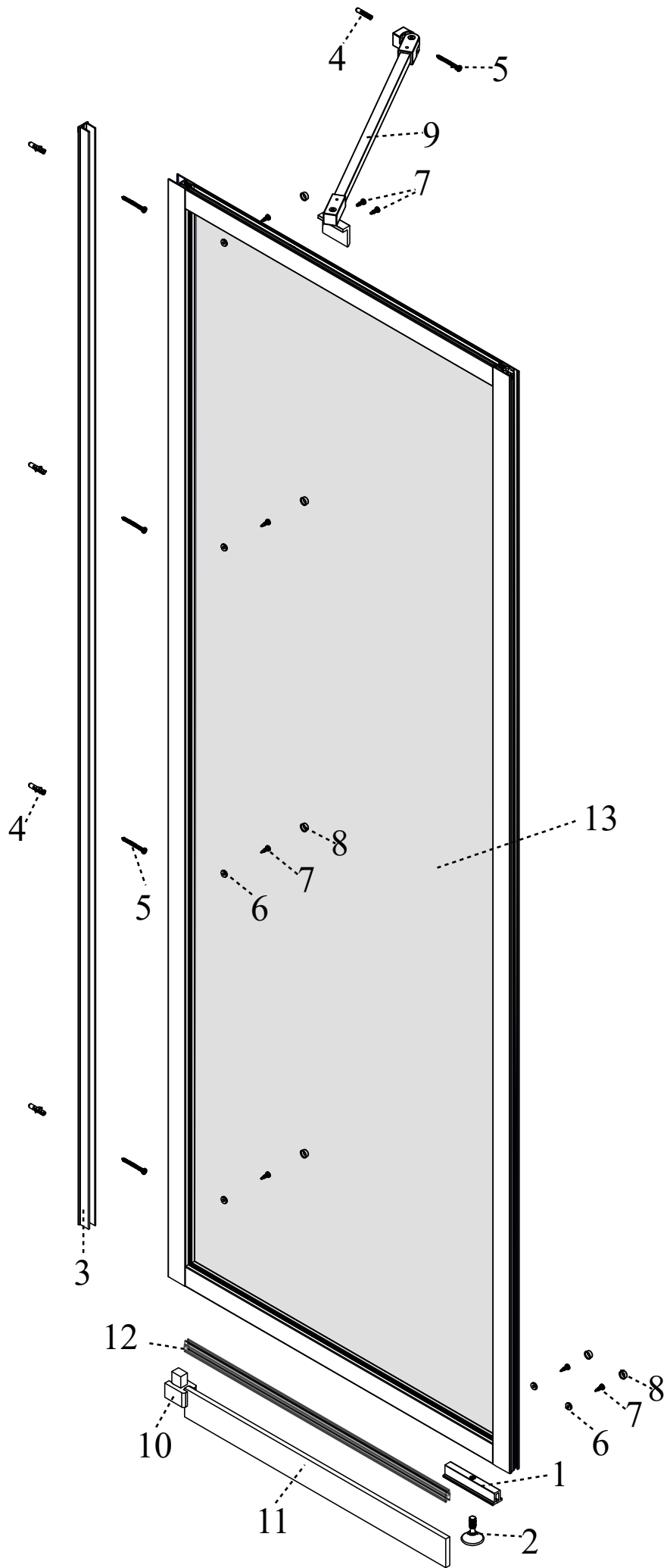
Ø6 mm
D

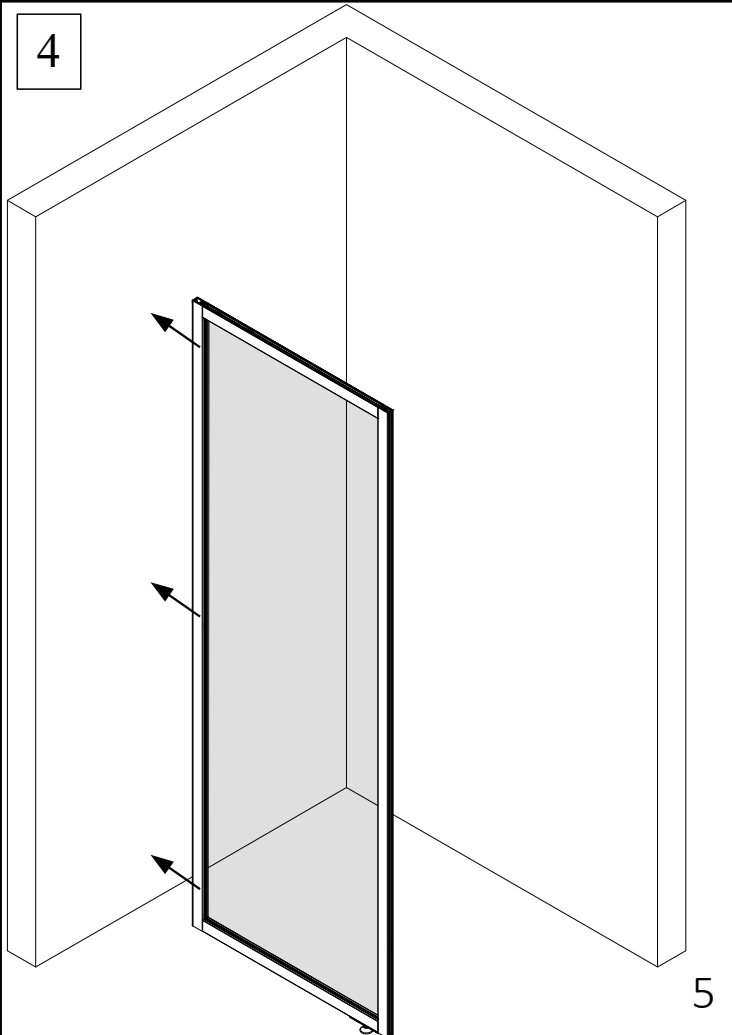
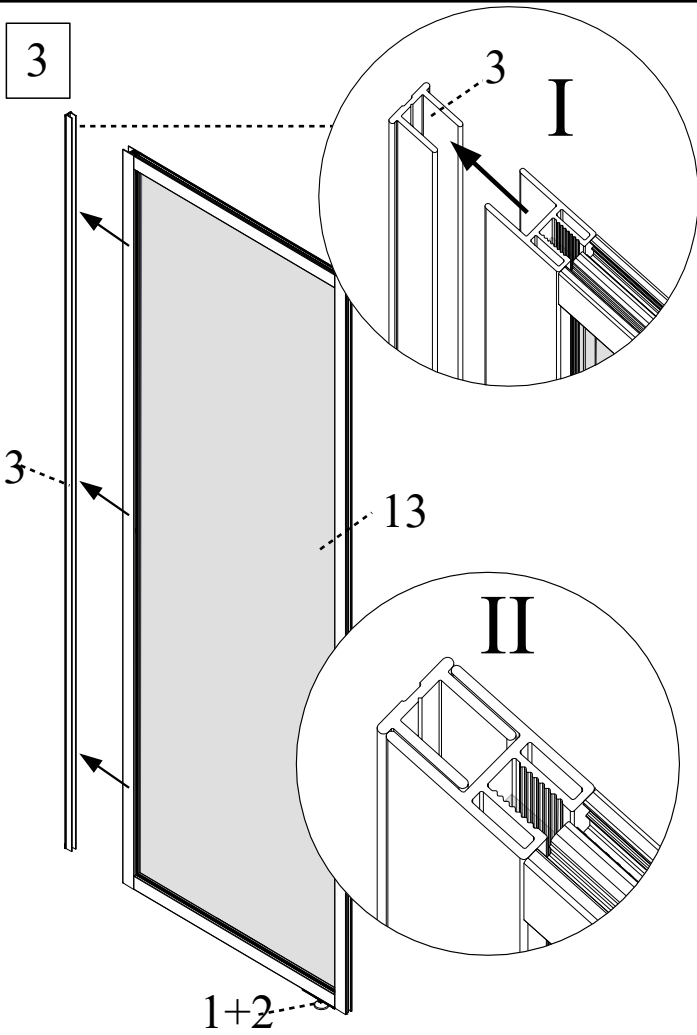
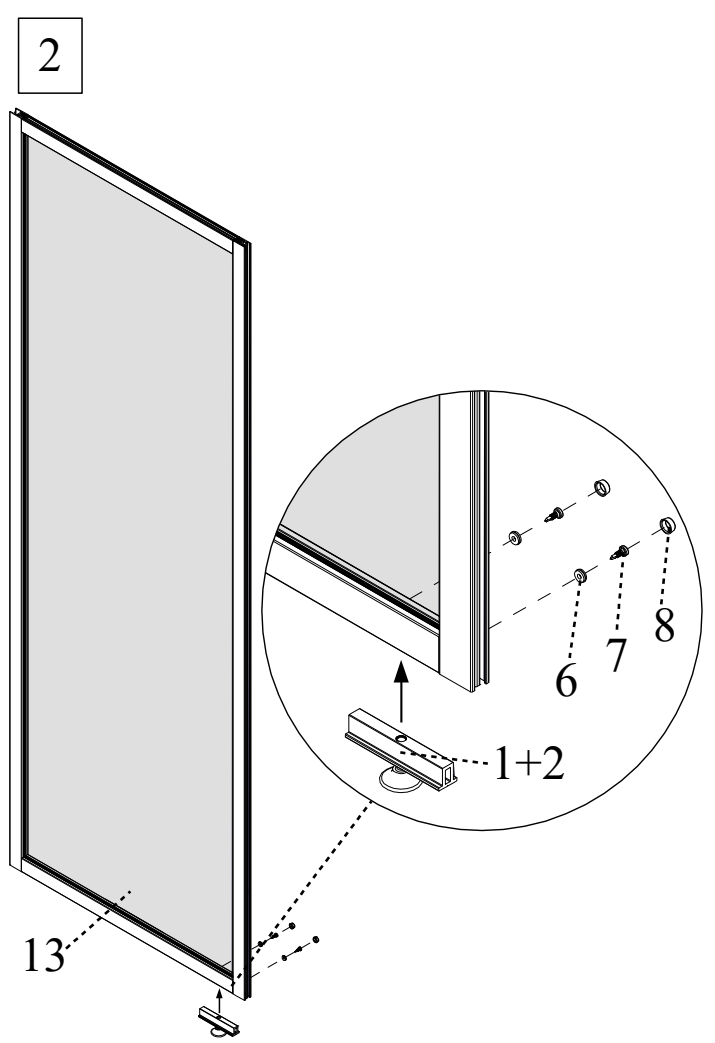
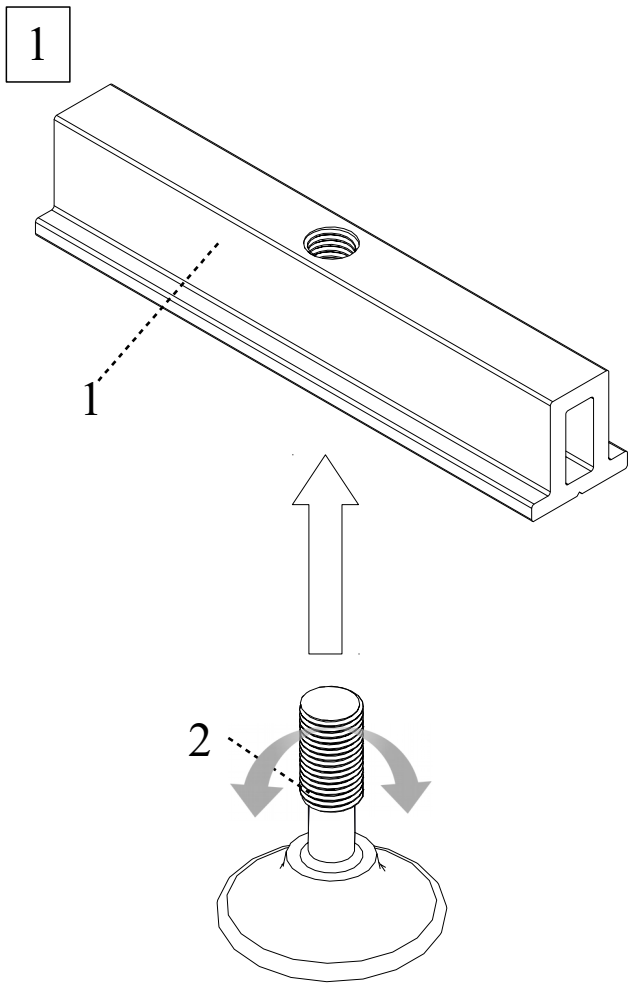


E

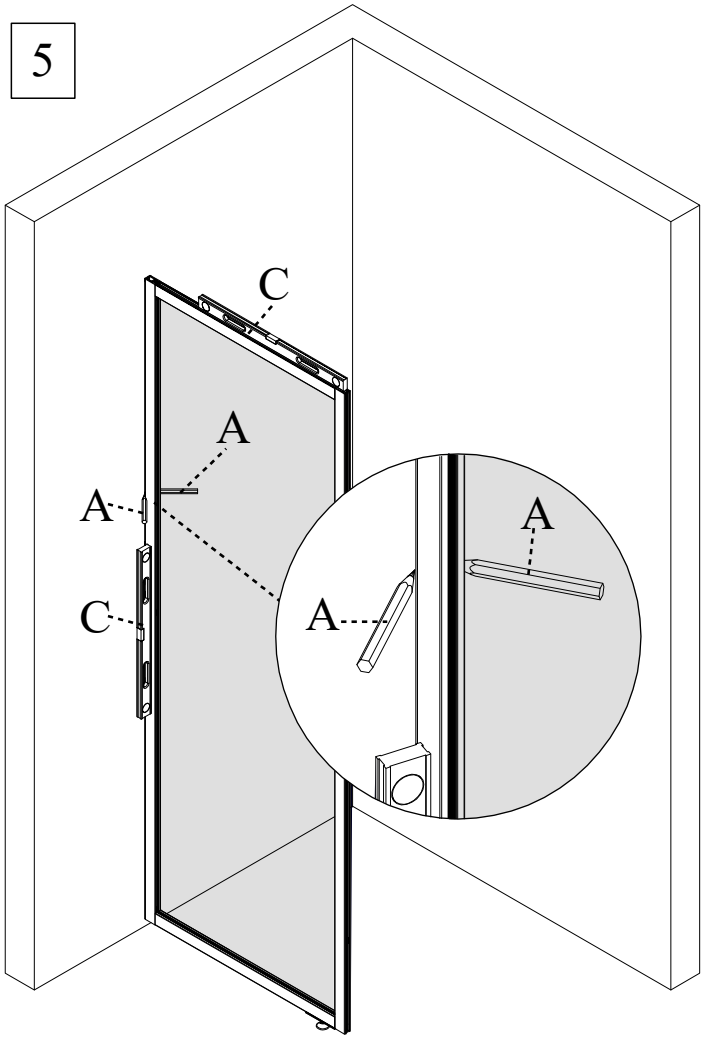


F

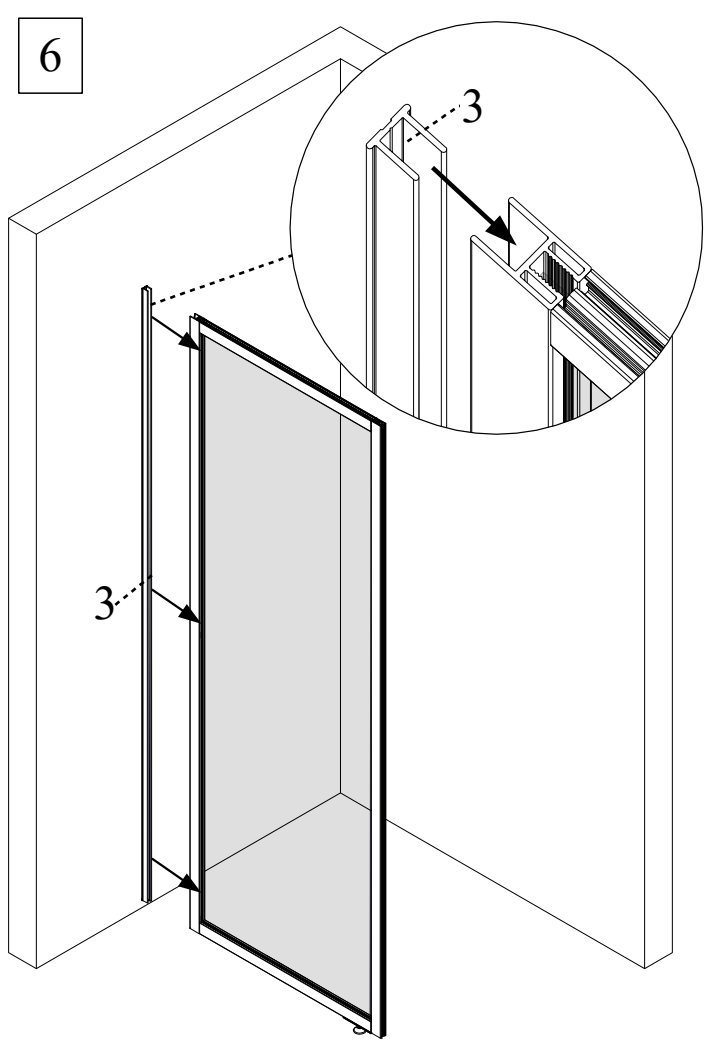




5



6



7

